

ERSATZTEILE

Pièces de rechange - Onderdelen - Reservedele - Varaosat - Pezzi di ricambio
Reservedelen - Peças - Reservdelar - Piezas de recambio

SPARE PARTS

STROMLAUFPLÄNE

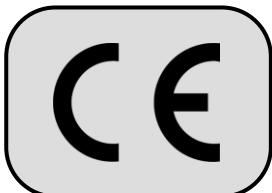
Schéma de connexions - Stroomschema - Kredslobsdiagrammer - KytKentäkaavio
Aansluitschema - Schema elettrico - Koplingskjema - Esquema electrico - Elschema
Esquema eléctrico

CIRCUIT DIAGRAMS

GIS CHAIN HOIST

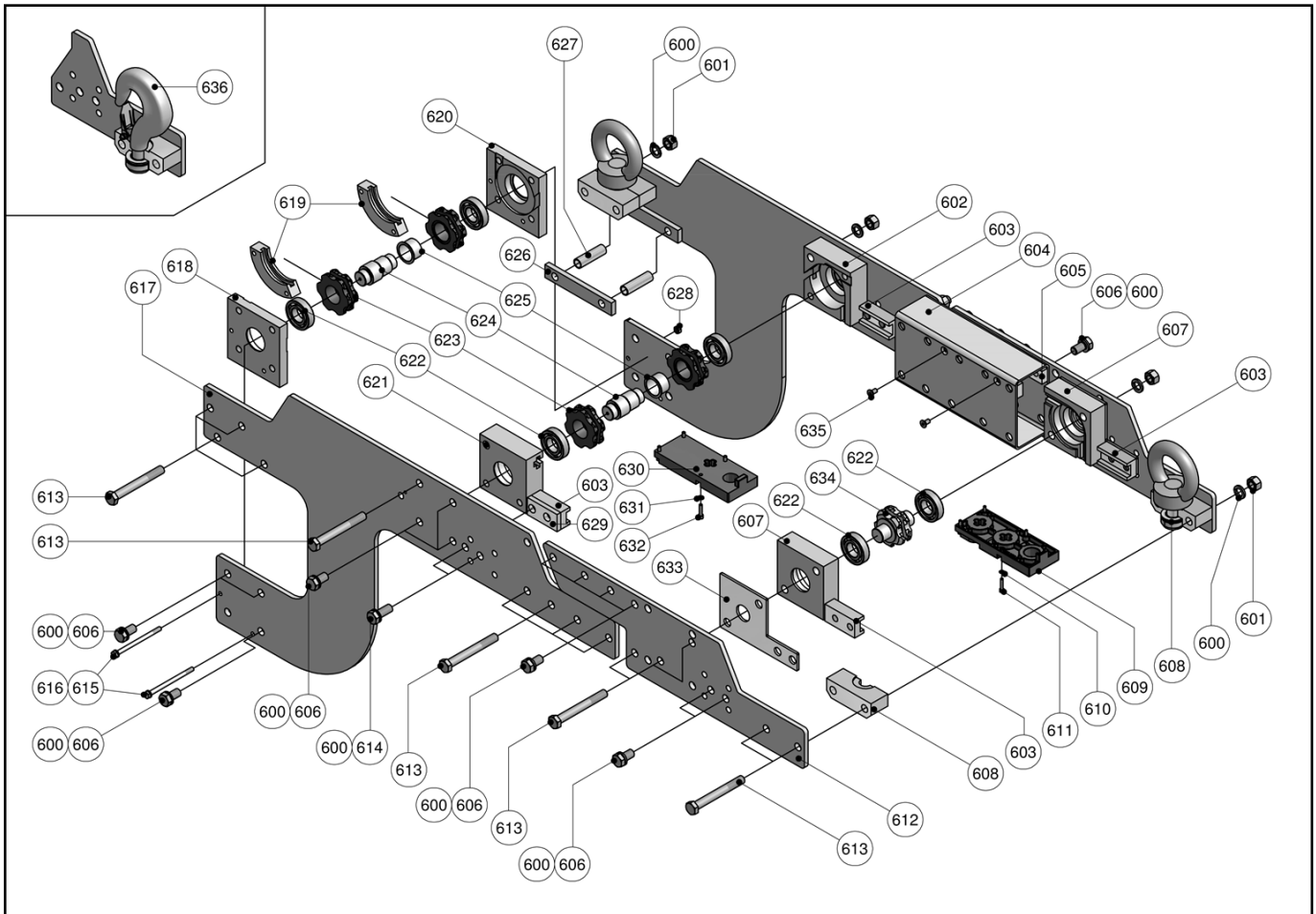
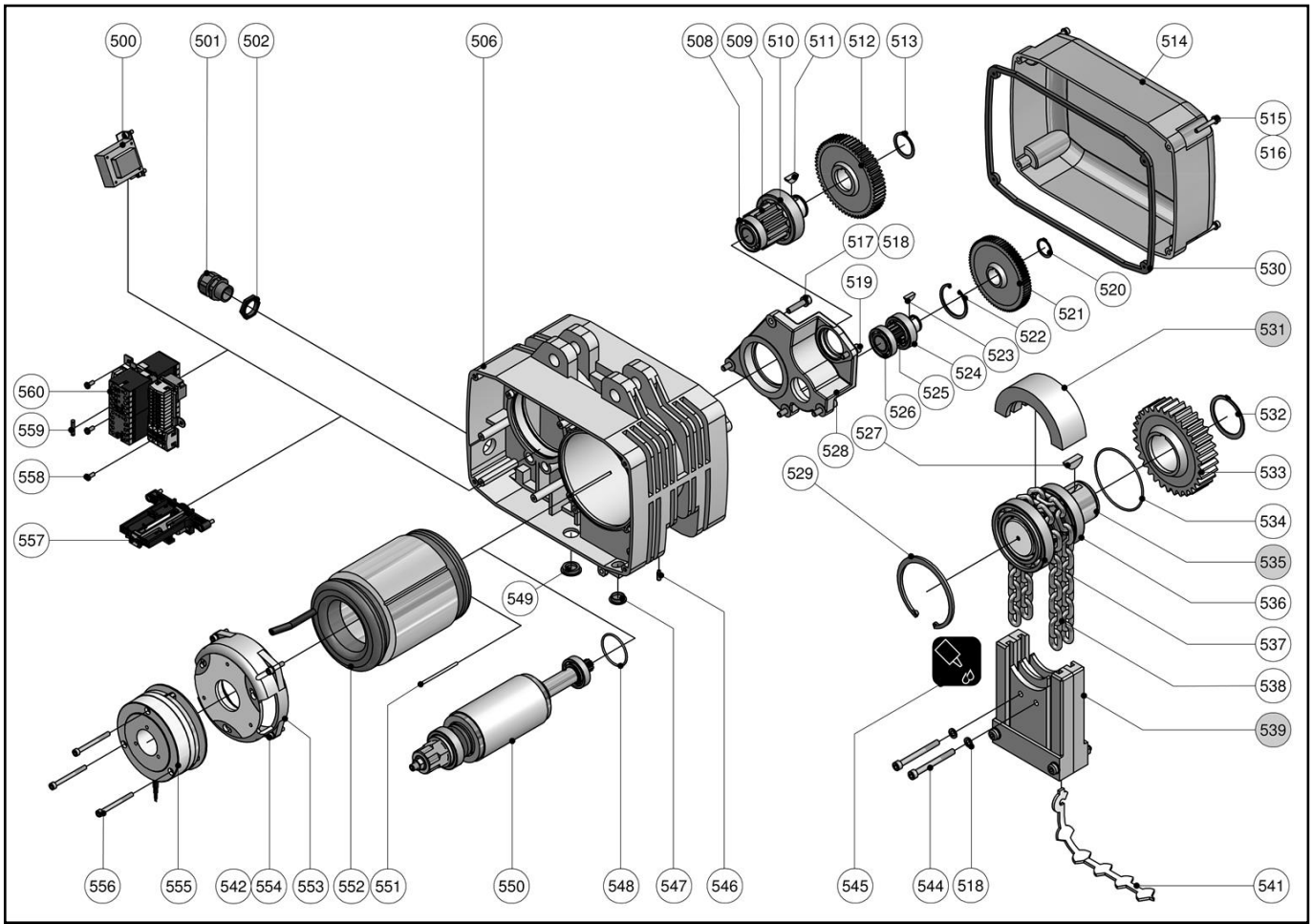
 SWISS QUALITY

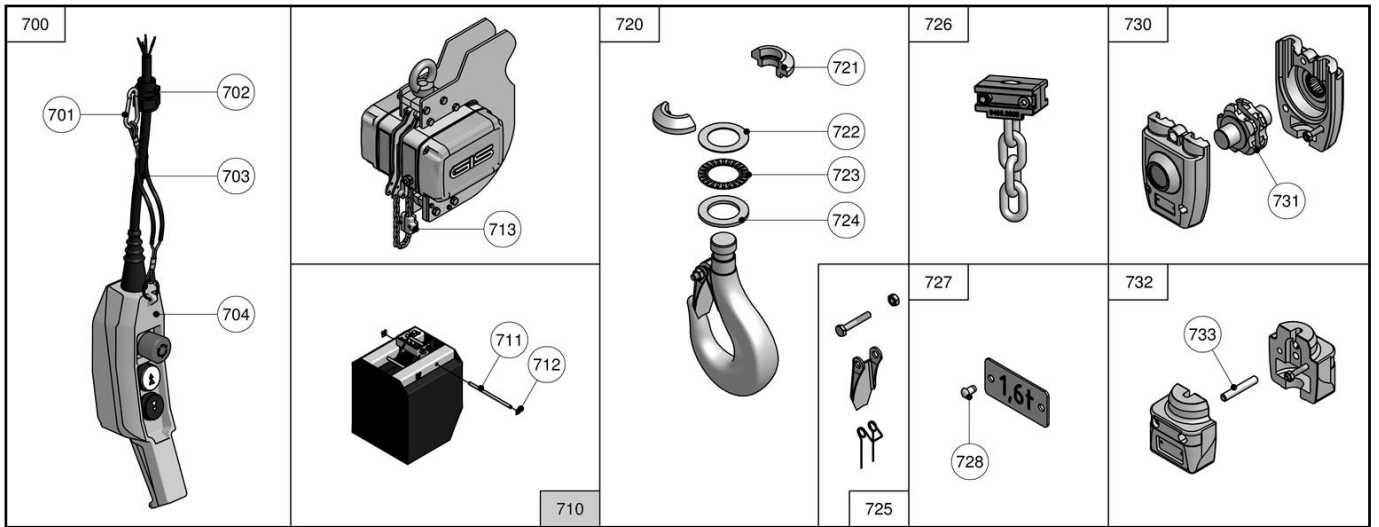
GCHS 2000



M A D E I N S W I T Z E R L A N D







GCHS 2000		
500	230/42V 50/60Hz	9056.4500.4
	400/42V 50/60Hz	9056.4501.4
501	M25 x 1.5	9055.3103
502	M25 x 1.5	9055.4013
506	345 x 304.5 x 251.5	9408.3000.0
508	NJ205, 25/52 x 15	0038.1824
509	ø58.81 x 108 z=12	9408.3027.4
510	6307, 35/80 x 21	9038.0022
511	8 x 9 x 21.63	9036.0601
512	ø125.42 z=57	9408.3026.3
513	A 35 x 1.5	0031.1020
514	345 x 230 x 96	9408.3001.2
515	M6 x 40, In-6kt	9030.0279
516	M6, Polyamid	9031.3704
517	M8 x 35	9030.0289
518	M8	9031.3904
519	M8 x 25	9030.0287
520	A 25 x 1.2	0031.1016
521	ø115.92 z=78, -NF	9408.3023.3
	ø109.5 z=73, -SF	9408.3024.3
522	152 x 2	9031.2206
523	6 x 7.5 x 18.75	9036.0600
524	6205, 25/52 x 15	9038.0019
525	ø33.67 x 74 z=13	9408.3025.4
526	6005, 25/47 x 12	0038.1036
527	10 x 13 x 31.43	9036.0603
528	213 x 164 x 62.5	9408.3002.1
529	I 110 x 4	0031.1137
530	347 x 232 x 6	9408.3003.3
531	140 x 70 x 49	9408.2014.4
532	A 60 x 2	0031.1028
533	ø143.86 z=34	9408.3029.3
534	ø95 x 2.5	9035.0017
535	ø93 x 140, 6T	9408.2010.2
536	6012 2RS, 60/95 x 18	0038.1085
537	6212 2Z, 60/110 x 22	9038.0020
538	7 x 22	9039.0007
539	138.7 x 177 x 59	9408.2018.4
541	236 x 23 x 5 (7 mm)	9041.6022
542	M6	9031.3903
544	M8 x 80	9030.0309
545	0.25 I	9041.0007
546	DIN 916 M6 x 16	9030.2013
547	M20 x 1.5	9055.3512
548	ø47 x 2.5	9035.0015
549	M25 x 1.5	9055.3513
550	2-t ø80 x 130 z=10, -NF	9408.3146.3
	2-t ø80 x 130 z=15, -SF	9408.3147.3
551	ø4 x 75	9230.3097.4
552	L=130, 3Ph 400V 50Hz, 8/2p, -NF/-SF	9407.0400.3
	L=130, 3Ph 230V 50Hz, 8/2p, -NF/-SF	9407.0402.3
553	ø156 x 52.5	9405.3232.2
554	M6 x 25	9030.0276
555	20 Nm 100-125 VAC	9050.4062
	20 Nm 200-240 VAC	9050.4063
	20 Nm 360-420 VAC	9050.4064

GCHS 2000		
555	20 Nm 440-480 VAC	9050.4065
	20 Nm 500-575 VAC	9050.4066
	20 Nm 690 VAC	9050.4067
556	M6 x 65/24	9030.0011
557	119 x 103.5, kompl.	9401.3015.3
	119 x 103.5, NA kompl.	9401.3018.3
558	M5 x 12	0030.3468
559	1.6A	9052.0012
560	2-t NA 100-480/42V	9402.1650.2
	2-t NA 500-690/42V UL	9402.1651.2
600	M16	9031.3909
601	M16	0031.0042
602	125 x 125 x 45	9408.2031.3
603	80 x 40 x 25	9405.1021.4
604	160 x 90 x 4, L=	9408.2002.3
605	255 x 30 x 15	9408.1019.4
606	M16 x 30	0030.2615
607	125 x 125 x 40	9405.1012.3
608	126 x 188	9408.1028.4
609	200 x 80 x 22	9405.1034.4
610	M5	9031.3902
611	M5 x 25	9030.0265
612	704.4 x 180 x 10	9408.1014.3
613	M16 x 130	9030.5325
614	M16 x 40	9030.5303
615	M8 x 120	9030.5004
616	M8	9031.3904
617	1110 x 625 x 10	9408.2027.1
618	140 x 140 x 21	9408.2029.3
619	ø150 x 24	9230.2018.4
620	140 x 140 x 21	9408.2030.3
621	125 x 125 x 45	9408.2032.3
622	6206-2Z 30/62 x 16	0038.1128
623	ø85 x 26	9230.2070.4
624	ø39 x 85.5	9408.2022.4
625	39/35 x 26	9038.1002
626	180 x 30 x 11	9408.2028.4
627	ø20/2 x 68	9408.3073.4
628	M8	0031.0008
629	80 x 40 x 10	9408.2020.4
630	200 x 80 x 22	9408.2033.3
631	M6	9031.3903
632	M6 x 25	9030.0276
633	208.5 x 125 x 5	9408.2021.4
634	ø78 x 85.6	9225.3041.4
635	M8 x 16	9030.1813
636	209 x 127.71	9235.3110.3

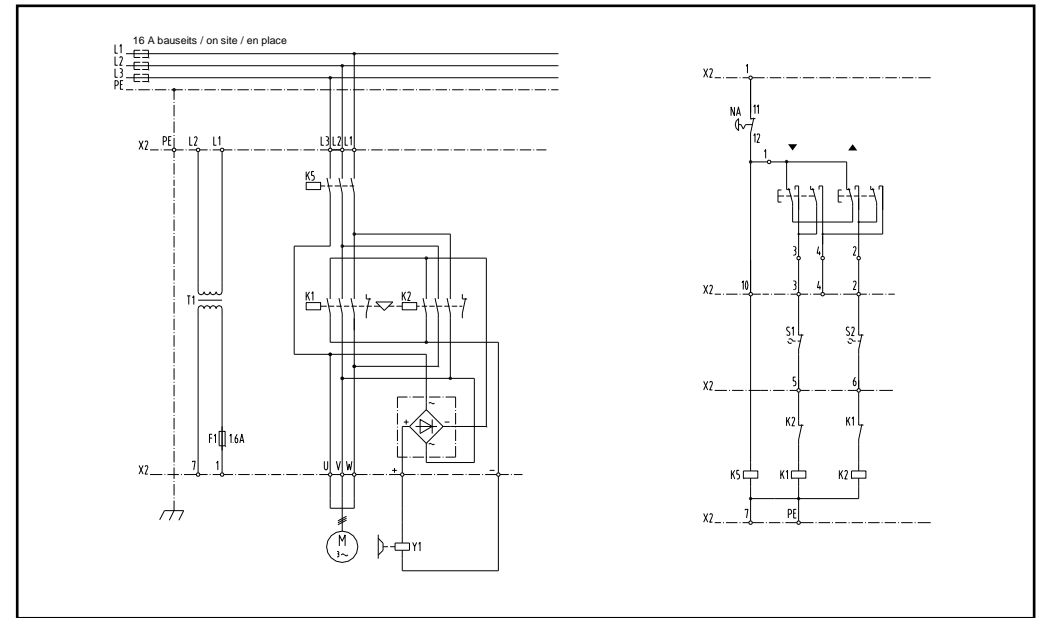
GCHS 2000		
700	2K NA 3 m	9290.1086.3
	2K NA 4 m	9290.1087.3
	2K NA 5 m	9290.1088.3
	2K NA 6 m	9290.1089.3
	2K NA 8 m	9290.1090.3
	2K NA 10 m	9290.1091.3
	2K NA 12 m	9290.1092.3
	2K NA 15 m	9290.1093.3
	2K NA 20 m	9290.1094.3
701	L=50	9031.8004
702	M20 x 1.5	9055.3102
703	5 x 0.75 mm², L=	9055.0110
704	2K NA	9290.1084.3
710	2000/2x6	9405.2029.1
	2000/2x12	9405.2031.1
711	ø8 x 166	9225.3030.4
712	Gr. 8	9031.2400
713	72 x 36 x 65	9225.3021.3
720	166.5 x 106.2	9225.3094.4
721	ø47 x 18	9225.3096.4
722	ø47/30 x 1	0038.3128
723	ø47/30 x 2	9038.0252
724	ø47/30 x 3	9038.1750
725	s=2.0	9220.3482.4
726	66 x 44 x 34	9408.3005.3
727	0.4 t	9220.3470.4
	0.5 t	9220.3471.4
	0.63 t	9220.3472.4
	0.8 t	9220.3473.4
	1 t	9220.3474.4
	1.25 t	9220.3475.4
	1.6 t	9220.3476.4
728	3 x 5	9031.6604
730	110 x 98 x 151	9225.3020.2
731	ø78 x 85.6	9225.3041.4
732	72 x 72 x 77	9225.3019.2
733	ø8 x 49	9220.3166.4

Elektrokettenzüge - Electric chain hoists - Palans électriques à chaîne

Schützensteuerung Contactor control Commande par contacteurs	1 Geschwindigkeit mit Not-Aus 1 speed with emergency stop 1 vitesse avec marche-arrêt	3 Ph	9402.9500.4
	2 Geschwindigkeiten mit Not-Aus 2 speeds with emergency stop 2 vitesses avec marche-arrêt	3 Ph	9402.9501.4

F	Steuersicherung	Control fuse	Fusible de commande
K	Schütz	Contacteur	Contacteur
L	Zuleitung	Power supply	Alimentation électrique
N	Nullleiter	Neutral	Neutre
NA	Not-Aus	Emergency stop	Marche-arrêt
PE	Erdung	Earth	Mise à la terre
S	Schalter	Switch	Interrupteur
T	Transformator	Transformator	Transformateur
U, V, W	Motor	Motor	Moteur
X	Klemmenleiste	Terminal strip	Barrette de raccordement
Y	Bremse	Brake	Frein

9402.9500.4 3 Ph



9402.9501.4 3 Ph

