

ERSATZTEILE

Pièces de rechange - Onderdelen - Reservedele - Varaosat - Pezzi di ricambio
Reservedelen - Peças - Reservdelar - Piezas de recambio

SPARE PARTS

STROMLAUFPLÄNE

Schéma de connexions - Stroomschema - Kredslobsdiagrammer - KytKentäkaavio
Aansluitschema - Schema elettrico - Koplingskjema - Esquema electrico - Elschema
Esquema eléctrico

CIRCUIT DIAGRAMS

GIS CHAIN HOIST

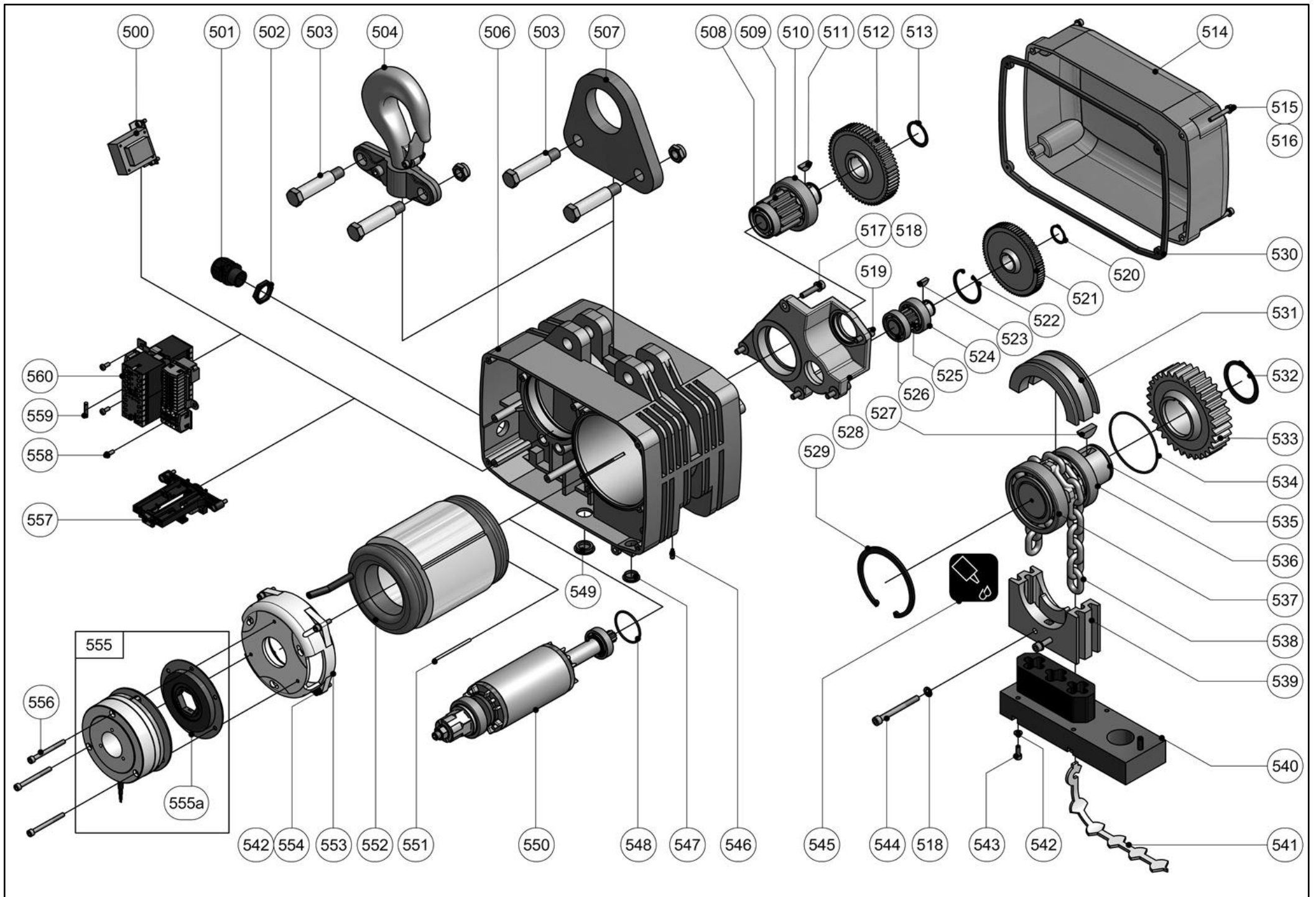
 SWISS QUALITY

GCH 1600
GCH 2000
GCH 2500



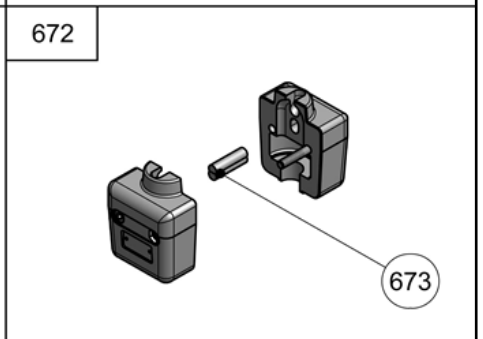
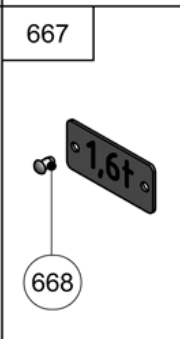
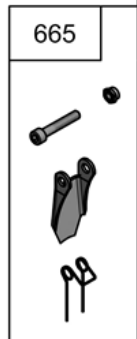
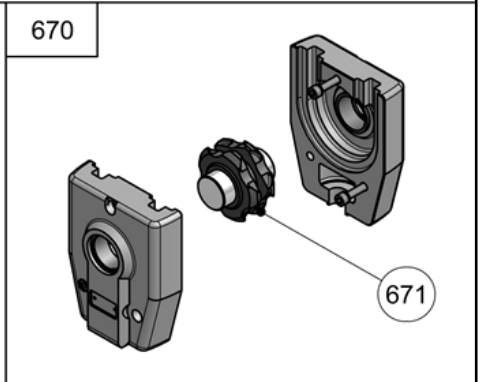
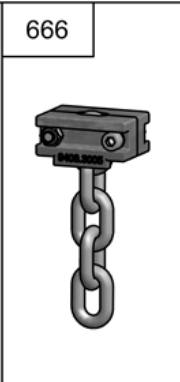
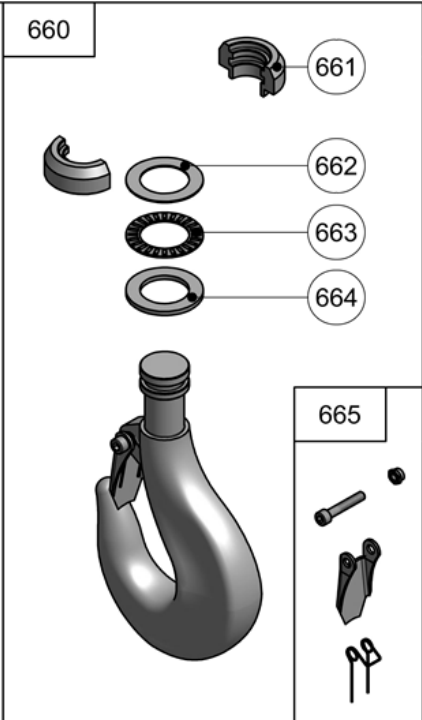
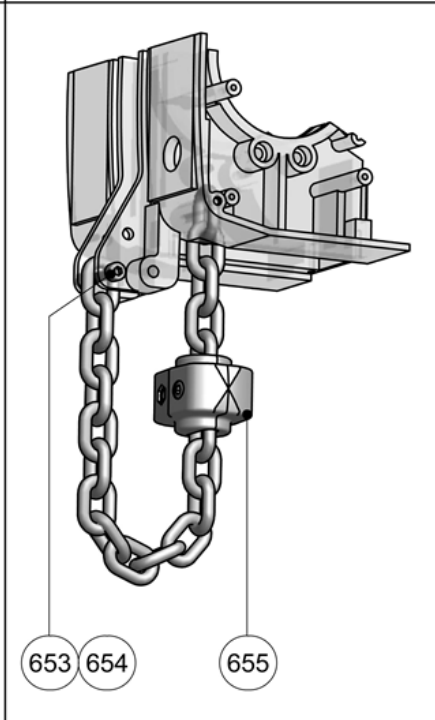
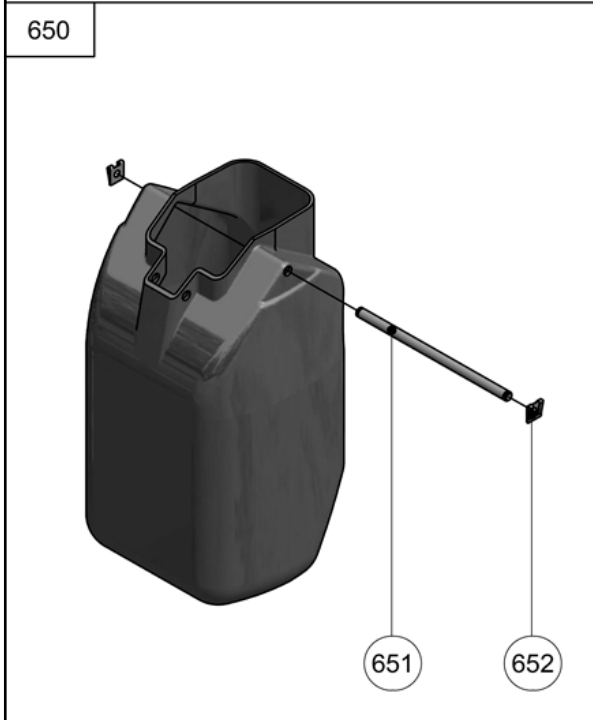
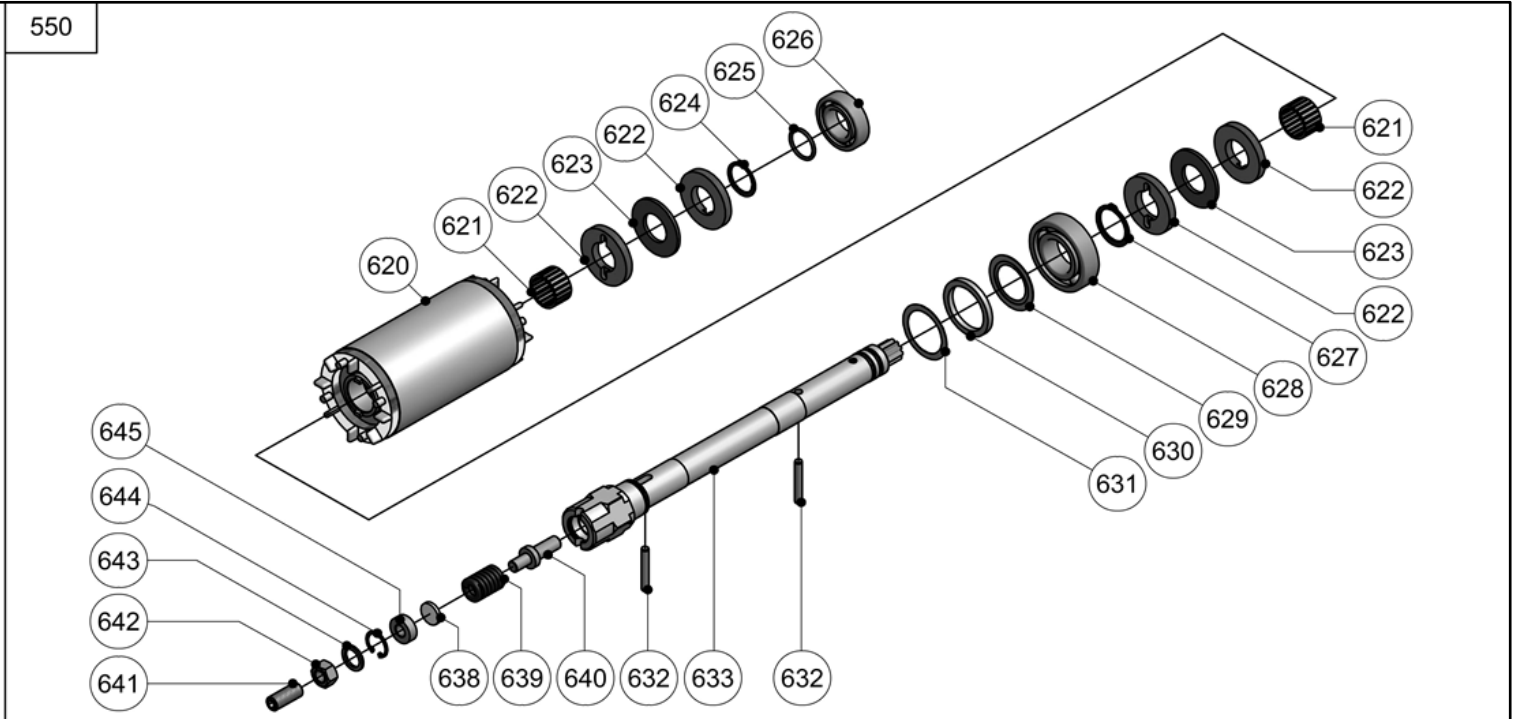
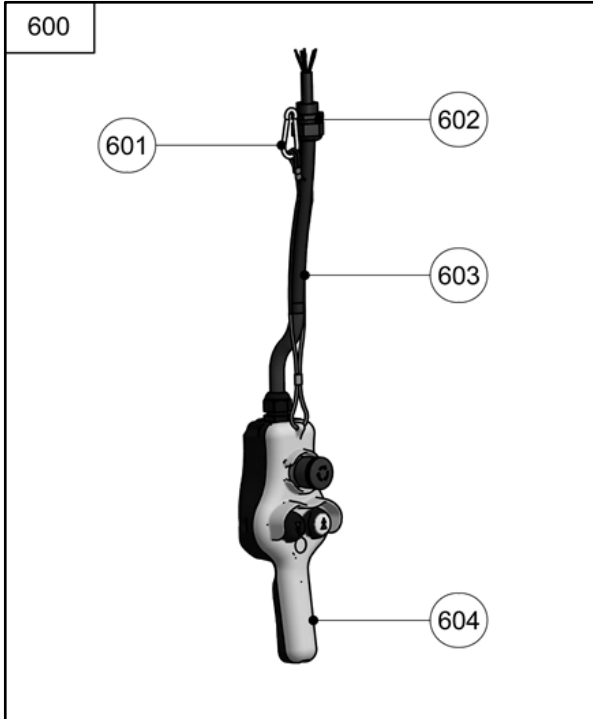
M A D E I N S W I T Z E R L A N D





		GCH 1600	GCH 2000	GCH 2500
500	230/42V 50/60Hz	9056.4500.4	9056.4500.4	9056.4500.4
	400/42V 50/60Hz	9056.4501.4	9056.4501.4	9056.4501.4
501	M25 x 1.5	9055.3103	9055.3103	9055.3103
502	M25 x 1.5	9055.4013	9055.4013	9055.4013
503	M16 x 90	9408.3015.4	9408.3015.4	9408.3015.4
504	166 x 210	9408.3042.3	9408.3042.3	9408.3042.3
506	345 x 304.5 x 251.5	9408.3000.0	9408.3000.0	9408.3000.0
507	186 x 169.94 x 20	9408.3019.3	9408.3019.3	9408.3019.3
508	NJ205, 25/52 x 15	0038.1824	0038.1824	0038.1824
509	ø58.81 x 108 z=12	9408.3027.4	9408.3027.4	
	ø51.2 x 108 z=10			9408.3028.4
510	6307, 35/80 x 21	9038.0022	9038.0022	9038.0022
511	8 x 9 x 21.63	9036.0601	9036.0601	9036.0601
512	ø125.42 z=57	9408.3026.3	9408.3026.3	9408.3026.3
513	A 35 x 1.5	0031.1020	0031.1020	0031.1020
514	345 x 230 x 96	9408.3001.2	9408.3001.2	9408.3001.2
515	M6 x 40, In-6kt	9030.0279	9030.0279	9030.0279
516	M6, Polyamid	9031.3704	9031.3704	9031.3704
517	M8 x 35	9030.0289	9030.0289	9030.0289
518	M8	9031.3904	9031.3904	9031.3904
519	M8 x 30	9030.0288	9030.0288	9030.0288
520	A 25 x 1.2	0031.1016	0031.1016	0031.1016
521	ø115.92 z=78, -N/-NF	9408.3023.3	9408.3023.3	9408.3023.3
	ø109.5 z=73, -SF	9408.3024.3	9408.3024.3	9408.3024.3
522	l 52 x 2	9031.2206	9031.2206	9031.2206
523	6 x 7.5 x 18.75	9036.0600	9036.0600	9036.0600
524	6205, 25/52 x 15	9038.0019	9038.0019	9038.0019
525	ø33.67 x 74 z=13	9408.3025.4	9408.3025.4	9408.3025.4
526	6005, 25/47 x 12	0038.1036	0038.1036	0038.1036
527	10 x 13 x 31.43	9036.0603	9036.0603	9036.0603
528	213 x 164 x 62.5	9408.3002.1	9408.3002.1	9408.3002.1
529	l 110 x 4	0031.1137	0031.1137	0031.1137
530	347 x 232 x 6	9408.3003.3	9408.3003.3	9408.3003.3
531	140 x 70 x 49	9408.3011.3	9408.3013.3	9408.3013.3
532	A 60 x 2	0031.1028	0031.1028	0031.1028
533	ø143.86 z=34	9408.3029.3	9408.3029.3	
	ø151.47 z=36			9408.3030.3
534	ø95 x 2.5	9035.0017	9035.0017	9035.0017
535	ø97 x 140, 5T	9408.3031.2		
	ø101 x 140, 5T		9408.3032.2	9408.3032.2
536	6012 2RS, 60/95 x 18	0038.1085	0038.1085	0038.1085
537	6212 2Z, 60/110 x 22	9038.0020	9038.0020	9038.0020
538	9 x 27	9039.0010		
	10 x 28		9039.0011	9039.0011
539	140 x 85 x 49	9408.3012.3	9408.3014.3	9408.3014.3

		GCH 1600	GCH 2000	GCH 2500
540	83 x 59 x 260	9408.3102.3	9408.3016.3	9408.3016.3
541	314 x 32.7 x 5 (9/10 mm)	9041.6024	9041.6024	9041.6024
542	M6	9031.3903	9031.3903	9031.3903
543	M6 x 16	9030.0275	9030.0275	9030.0275
544	M8 x 80/28	9030.0309	9030.0309	9030.0309
545	0.25 l	9041.0007	9041.0007	9041.0007
546	DIN 916 M6 x 16	9030.2013	9030.2013	9030.2013
547	M20 x 1.5	9055.3512	9055.3512	9055.3512
548	ø47 x 2.5	9035.0015	9035.0015	9035.0015
549	M25 x 1.5	9055.3513	9055.3513	9055.3513
550	1-t ø80 x 90 z=10, -N	9408.3145.3	9408.3145.3	9408.3145.3
	2-t ø80 x 130 z=10, -NF	9408.3146.3	9408.3146.3	9408.3146.3
	2-t ø80 x 130 z=15, -SF	9408.3147.3	9408.3147.3	9408.3147.3
551	ø4 x 75	9230.3097.4	9230.3097.4	9230.3097.4
552	L=90, 3Ph 230/400V 50Hz, 2p, -N	9407.0100.3	9407.0100.3	9407.0100.3
	L=130, 3Ph 400V 50Hz, 8/2p, -NF/-SF	9407.0400.3	9407.0400.3	9407.0400.3
	L=130, 3Ph 230V 50Hz, 8/2p, -NF/-SF	9407.0402.3	9407.0402.3	9407.0402.3
553	ø156 x 52.5	9405.3232.2	9405.3232.2	9405.3232.2
554	M6 x 25	9030.0276	9030.0276	9030.0276
555	20 Nm 100-125 VAC	9050.4062	9050.4062	9050.4062
	20 Nm 200-240 VAC	9050.4063	9050.4063	9050.4063
	20 Nm 360-420 VAC	9050.4064	9050.4064	9050.4064
	20 Nm 440-480 VAC	9050.4065	9050.4065	9050.4065
	20 Nm 500-575 VAC	9050.4066	9050.4066	9050.4066
	20 Nm 690 VAC	9050.4067	9050.4067	9050.4067
555a	ø128 x 11.8	9405.3286.4	9405.3286.4	9405.3286.4
556	M6 x 65/24	9030.0011	9030.0011	9030.0011
557	119 x 103.5, kompl.	9401.3015.3	9401.3015.3	9401.3015.3
	119 x 103.5, NA kompl.	9401.3018.3	9401.3018.3	9401.3018.3
558	M5 x 12	0030.3468	0030.3468	0030.3468
559	1.6A	9052.0012	9052.0012	9052.0012
560	1-t NA 100-480/42V	9402.1550.2	9402.1550.2	9402.1550.2
	1-t NA 500-690/42V UL	9402.1551.2	9402.1551.2	9402.1551.2
	2-t NA 100-480/42V	9402.1650.2	9402.1650.2	9402.1650.2
	2-t NA 500-690/42V UL	9402.1651.2	9402.1651.2	9402.1651.2

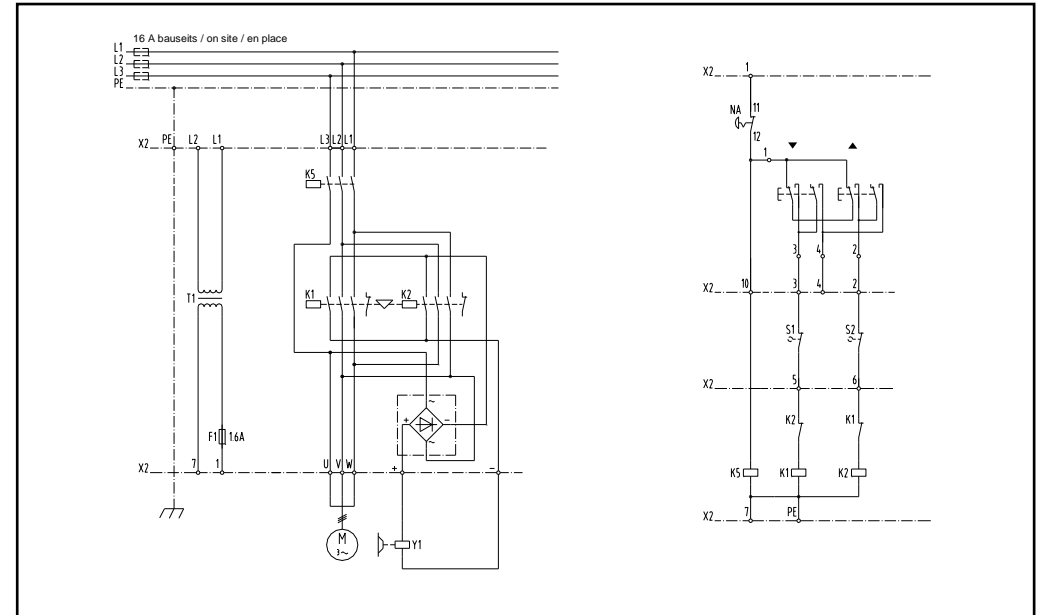


Elektrokettenzüge - Electric chain hoists - Palans électriques à chaîne

Schützensteuerung Contactor control Commande par contacteurs	1 Geschwindigkeit mit Not-Aus 1 speed with emergency stop 1 vitesse avec marche-arrêt	3 Ph	9402.9500.4
	2 Geschwindigkeiten mit Not-Aus 2 speeds with emergency stop 2 vitesses avec marche-arrêt	3 Ph	9402.9501.4

F	Steuersicherung	Control fuse	Fusible de commande
K	Schütz	Contacteur	Contacteur
L	Zuleitung	Power supply	Alimentation électrique
N	Nullleiter	Neutral	Neutre
NA	Not-Aus	Emergency stop	Marche-arrêt
PE	Erdung	Earth	Mise à la terre
S	Schalter	Switch	Interrupteur
T	Transformator	Transformator	Transformateur
U, V, W	Motor	Motor	Moteur
X	Klemmenleiste	Terminal strip	Barrette de raccordement
Y	Bremse	Brake	Frein

9402.9500.4 3 Ph



9402.9501.4 3 Ph

